

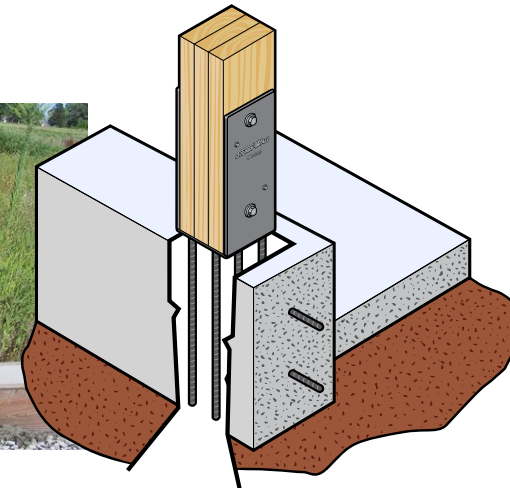
HOW TO INSTALL STURDI-WALL® PLUS ANCHOR BRACKETS



The Sturdi-Wall® Plus system is designed to facilitate post-frame construction on traditional concrete foundations. Sturdi-Wall® Plus brackets can be used with wood posts, nail laminated wood columns, and glue laminated wood columns. They provide the highest strength connection to your foundation but require installation while concrete is wet.

Step-by-step installation instructions

- 1 After the concrete forms are installed to proper location and elevation, place the Sturdi-Wall® Plus bracket in the wet concrete.
- 2 Tap the bracket lightly to eliminate any air pockets around the rebar legs.
- 3 The Sturdi-Wall® Plus bracket will require temporary bracing until the concrete sets to insure accurate bracket placement and alignment.
- 4 Allow the concrete to cure for 7 days before attaching wood posts to the Sturdi-Wall® Plus bracket and 30 days for maximum design loading.



STURDI-WALL®
ANCHOR BRACKETS



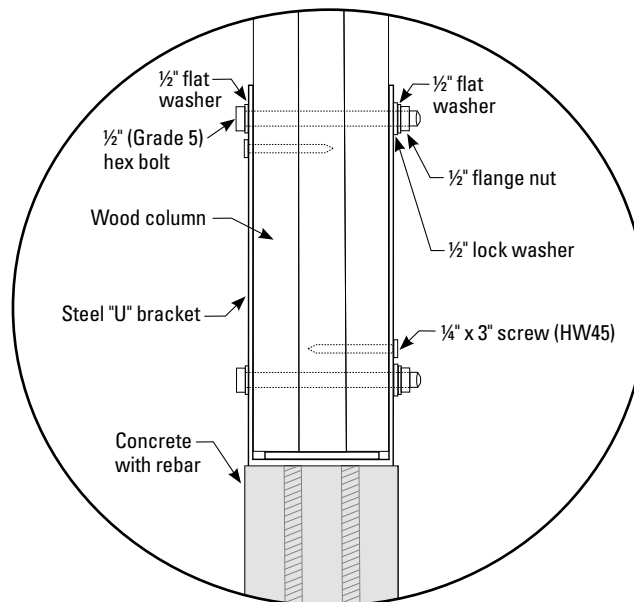
Our hardware kits offer all you need to assemble our family of products. Kits are available in a variety of options. [View our product guide for more information.](#)

STURDI-WALL® PLUS ANCHOR BRACKETS

How to connect Sturdi-Wall® Plus brackets to wood columns

- 1 The wood column should be flat and square on the end that is being attached to the Sturdi-Wall® Plus bracket. Before attaching, the column must be seated firmly against the bottom of the bracket pocket.
- 2 Without pre-drilling, install the 1/4" x 3" screws.
- 3 When drilling the 1/2-inch thru hole in the wood column, do not wallow out hole to get alignment. It may be necessary to drill from both sides of the metal U bracket.
- 4 When installing the 1/2" bolt, use a flat washer on the hex head side of the bolt and a flat washer, lock washer, and nut on the other side of the metal U bracket (a serrated flange nut can be substituted on this side). Bolts should be tightened to 110 to 120 foot-pounds.

For more information, see the Sturdi-Wall® design manual at permacolumn.com.



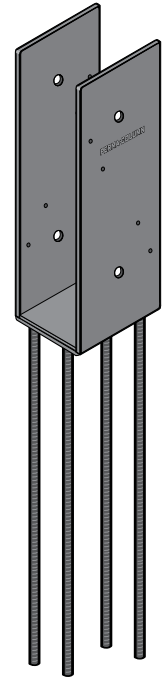
Sturdi-Wall® Plus using flange nuts

Sturdi-Wall® Plus hardware requirements

- (2) 1/2" diameter A325 (Grade 5) hex bolts
- (2) 1/2" lock washers*
- (4) 1/2" flat washers*
- (2) 1/2" flange nuts*
- (4) or (8) 1/4" x 3" screws (HW45 or equivalent)**

* Serrated flange nuts may be substituted in place of the flat washer, lock washers, and nut on one side.

** Four pieces used per column except on the 2 x 8 models, which take eight pieces.



STURDI-WALL
ANCHOR BRACKETS

