



POST-FRAME PRODUCTS

BUILD BETTER. BUILD STRONGER. BUILD TO LAST.



CONTENTS

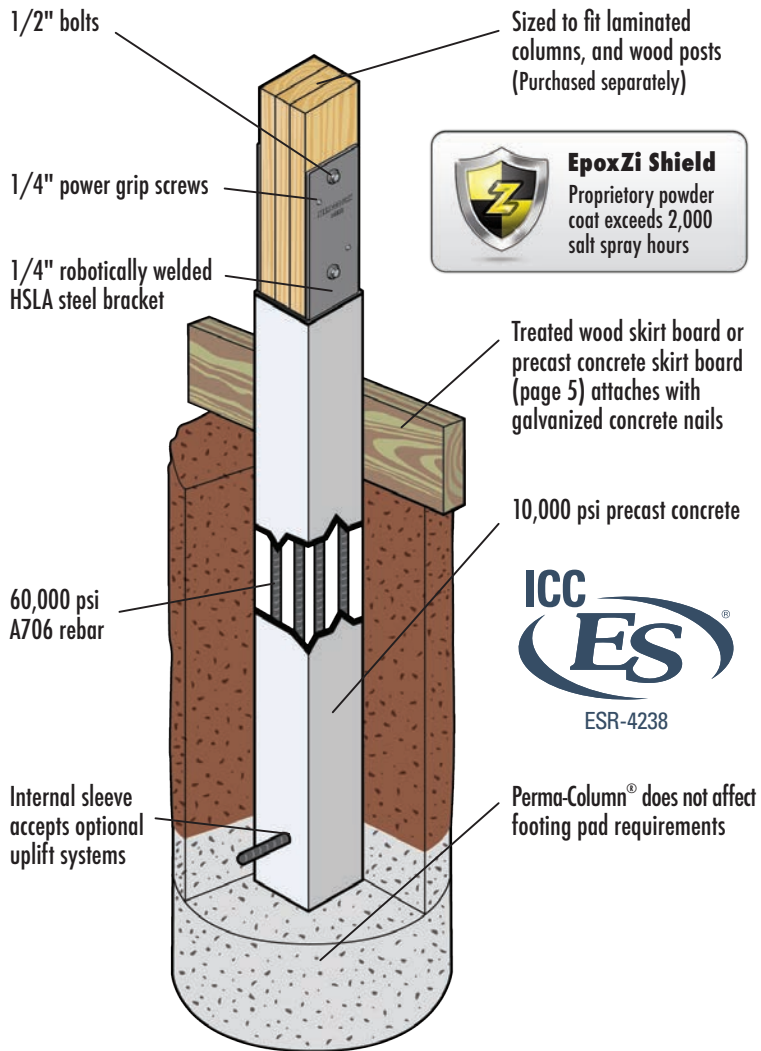


- Precast Concrete Columns 3
- Precast Concrete Columns – for Glu Lam 4
- Precast Skirt Boards..... 5
- FootingPad® Composite Footings 6
- Sturdi-Wall® Anchor Brackets 7
- Sturdi-Wall® Anchor Brackets – for Glu Lam 8
- Sturdi-Wall® Plus Anchor Brackets 9
- Sturdi-Wall® Plus Anchor Brackets – for Glu Lam 10
- Hardware 11
- Hardware Kits 12
- Drill Set Hardware Kits 13
- Uplift Anchor Kits 14
- Column Extenders..... 15

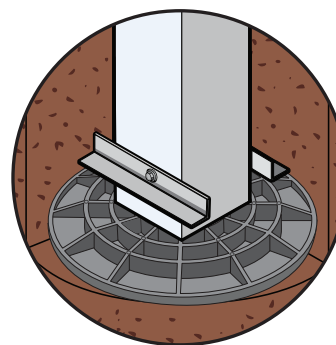
PRECAST CONCRETE COLUMNS

v10.23

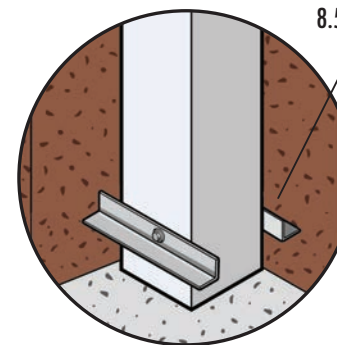
ICC-ES certified Perma-Column® precast concrete columns elevate wood out of the ground, ensuring your building's foundation will never rot. They combine the economy of post-frame construction with the durability of a concrete foundation. They are constructed of 100% American-made 1/4" steel finished with a tough powder coat, 1/2" and 5/8" grade 60 rebar, and 10,000 psi concrete.



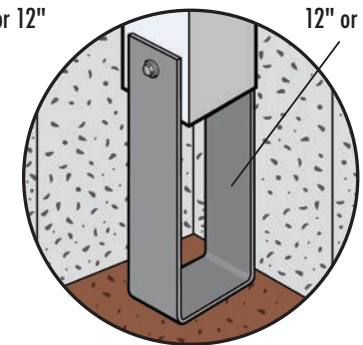
Model ID	Type	Bracket height	Description	Weight (lbs.)
PC4600	4" x 6"	13"	3-5/8" pocket fits 4" x 6" post	135
PC6300	3-Ply 2" x 6"	13"	4-5/8" pocket fits 3-Ply 6" laminated column	165
PC6400	4-Ply 2" x 6"	18"	6-1/8" pocket fits 4-Ply 6" laminated column	215
PC6600	6" x 6"	13"	5-5/8" pocket fits 6" x 6" post	196
PC8300	3-Ply 2" x 8"	18"	4-5/8" pocket fits 3-Ply 8" laminated column	235
PC8400	4-Ply 2" x 8"	18"	6-1/8" pocket fits 4-Ply 8" laminated column	290
PC8500	5-Ply 2" x 8"	18"	7-5/8" pocket fits 5-Ply 8" laminated column	345



OPTIONAL FOOTINGPAD®
COMPOSITE FOOTING*



OPTIONAL
UPLIFT ANCHORS*



OPTIONAL
COLUMN EXTENDER*

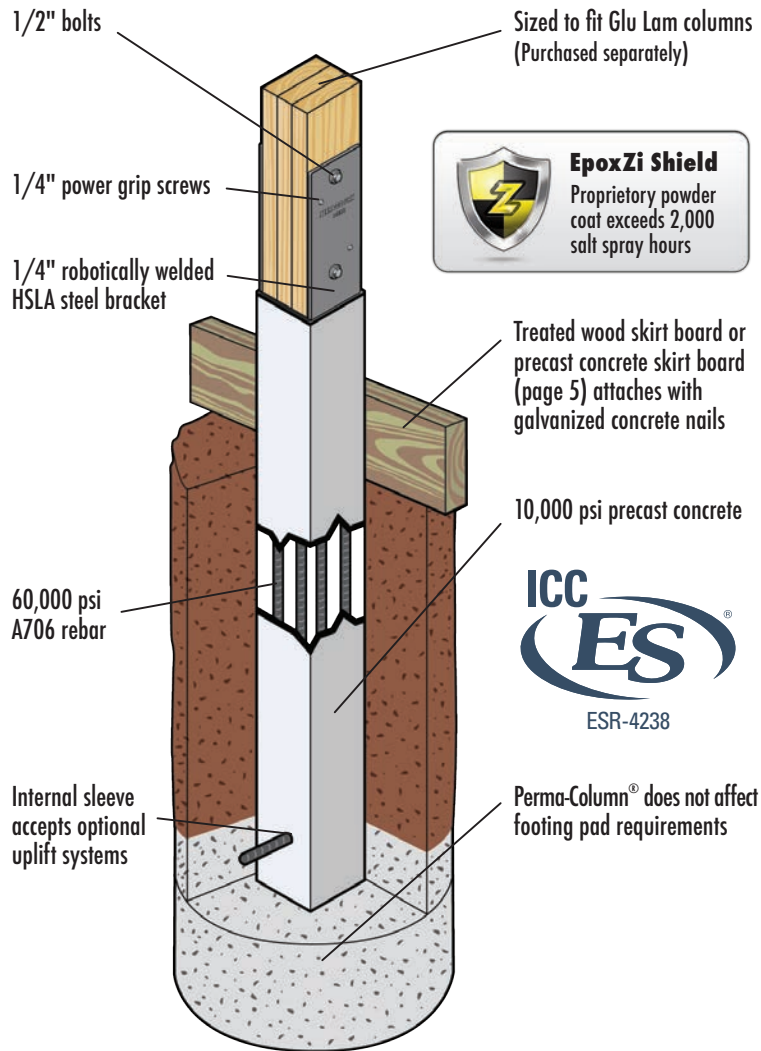
*Uplift kits and hardware sold separately. Don't forget concrete nails (Item HW28) to attach the treated base board.

PRECAST CONCRETE COLUMNS

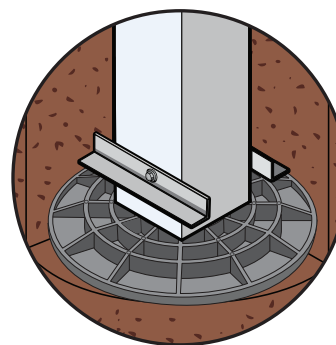
GLU LAM

v10.23

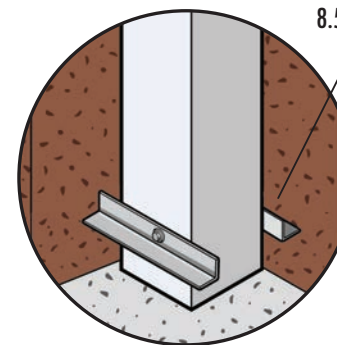
ICC-ES certified Perma-Column® precast concrete columns elevate wood out of the ground, ensuring your building's foundation will never rot. They combine the economy of post-frame construction with the durability of a concrete foundation. They are constructed of 100% American-made 1/4" steel finished with a tough powder coat, 1/2" and 5/8" grade 60 rebar, and 10,000 psi concrete.



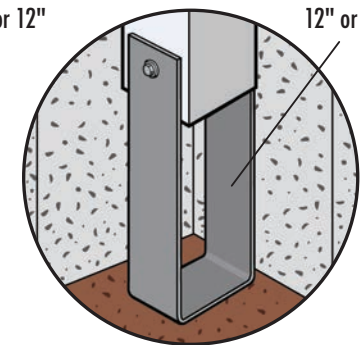
Model ID	Type	Bracket height	Description	Weight (lbs.)
PC6300GL	3-Ply 2" x 6"	13"	4-3/16" pocket fits 3-Ply 6" laminated column	165
PC6400GL	4-Ply 2" x 6"	18"	5-9/16" pocket fits 4-Ply 6" laminated column	215
PC8300GL	3-Ply 2" x 8"	18"	4-3/16" pocket fits 3-Ply 8" laminated column	235
PC8400GL	4-Ply 2" x 8"	18"	5-9/16" pocket fits 4-Ply 8" laminated column	290
PC8500GL	5-Ply 2" x 8"	18"	6-15/16" pocket fits 5-Ply 8" laminated column	345



OPTIONAL FOOTINGPAD®
COMPOSITE FOOTING*



OPTIONAL
UPLIFT ANCHORS*



OPTIONAL
COLUMN EXTENDER*

*Uplift kits and hardware sold separately. Don't forget concrete nails (Item HW28) to attach the treated base board.

PRECAST SKIRT BOARDS

v10.23

Eliminate all wood contact with soil in post-frame construction. Patented precast skirt boards strengthen post-frame foundations and lengthen service life. Hybrid concrete-wood design prevents rot or warp and makes them stronger, stiffer, and straighter than standard treated wood skirt boards. Installed with Perma-Column® precast concrete columns, precast skirt boards create a complete permanent foundation solution guaranteed to last generations.

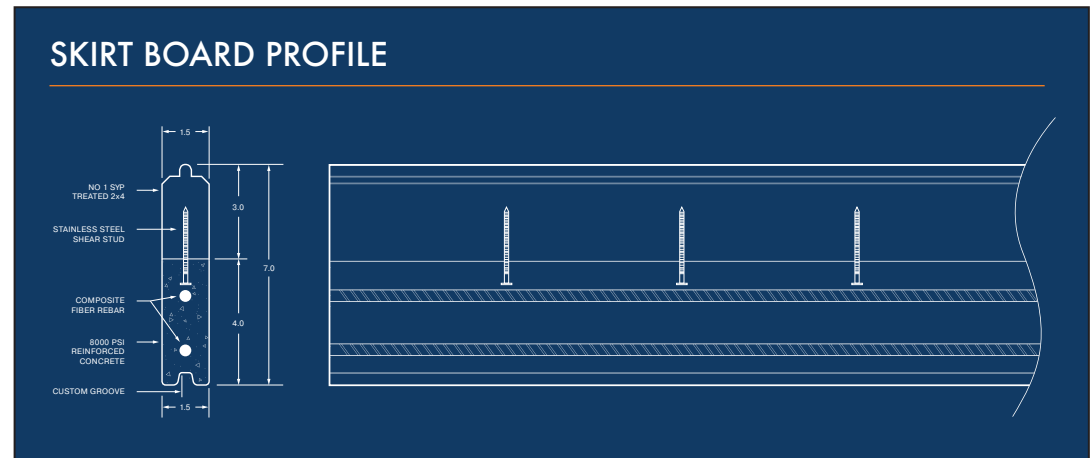


SKIRT BOARD BOARDS

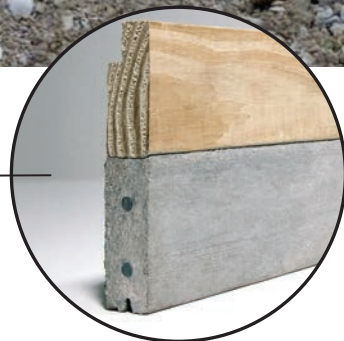
Item #	Description	Weight (lbs.)	Pallet Qty (count)
SKB080	1-1/2" x 7-1/2" x 8 1/2' tongue-and-groove skirt board	56	25
SKB100	1-1/2" x 7-1/2" x 10' tongue-and-groove skirt board	74	25
SKBW80	8' walk-door stiffener	45	25

HARDWARE

Item #	Description	Weight (lbs.)	Box Qty (count)
PC15SB	G185 galvanized skirt board bracket	0.5	100
HW26	3/16" x 1-1/8" galvanized concrete nail	0.013	1000



Ultra-high-strength design
8,000+ PSI precast concrete
MCA treated 2-by-4 wood
Basalt composite rebar



FOOTINGPAD® COMPOSITE FOOTINGS

v10.23

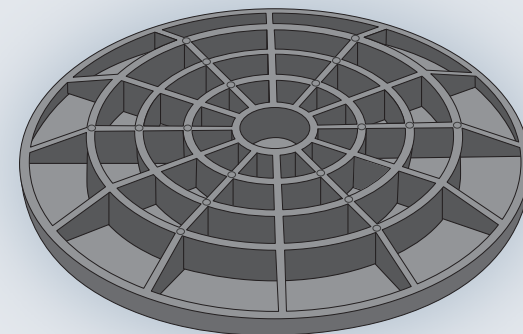
Lightweight and easy to handle on the job site, FootingPad® composite footings provide the equivalent strength and durability of concrete footers — at a fraction of the time, cost, and weight. Patented, guaranteed, and certified code compliant by the ICC-ES, FootingPad composite footings are engineered to meet or exceed the load capacity of concrete.



Model ID	Type	Description	Weight (lbs.)
FP-10	10"	10" diameter composite footing pad	1.2
FP-12	12"	12" diameter composite footing pad	2.5
FP-16	16"	16" diameter composite footing pad	4.7
FP-20	20"	20" diameter composite footing pad	8.5
FP-24	24"	24" diameter composite footing pad	14

FOOTINGPAD® COMPOSITE FOOTING

FootingPad composite footings use a proprietary fiber-reinforced polymer composite that is impervious to damaging elements such as water, insects, and oxygen, providing exceptional strength and durability.



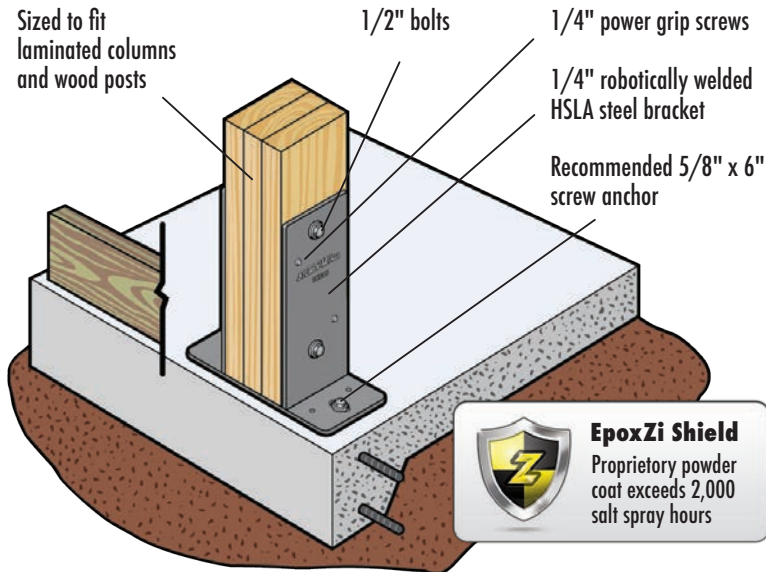
STURDI-WALL® ANCHOR BRACKETS

v10.23

The Sturdi-Wall® system allows for post-frame construction on traditional concrete foundations. ICC-ES certified Sturdi-Wall® anchor brackets are constructed of 100% American-made 1/4" steel, robotically welded, and finished with a tough powder coat. Install these engineered wall brackets with a masonry drill bit and concrete anchors.*



DRILL SET



Model ID	Type	Bracket height	Description	Weight (lbs.)
SW46	4" x 6"	13"	3-5/8" pocket fits 4" x 6" post	13
SW60	6" universal	13"	Used in pairs to fit odd-sized columns, or alone at corners and doors	6
SW63	3-Ply 6"	13"	4-5/8" pocket fits 3-Ply 6" laminated column	13
SW64	4-Ply 6"	13"	6-1/8" pocket fits 4-Ply 6" laminated column	13
SW66	6" x 6"	13"	5-5/8" pocket fits 6" x 6" post	13
SW80	8" universal	18"	Used in pairs to fit odd-sized columns, or alone at corners and doors	10
SW83	3-Ply 8"	18"	4-5/8" pocket fits 3-Ply 8" laminated column	24
SW84	4-Ply 8"	18"	6-1/8" pocket fits 4-Ply 8" laminated column	24
SW85	5-Ply 8"	18"	7-5/8" pocket fits 5-Ply 8" laminated column or 8" x 8" post	26
SW88	8" x 8"	18"	8-1/8" pocket fits 8" x 8" architectural post	27

*Hardware sold separately.

STURDI-WALL
ANCHOR BRACKETS

STURDI-WALL® ANCHOR BRACKETS

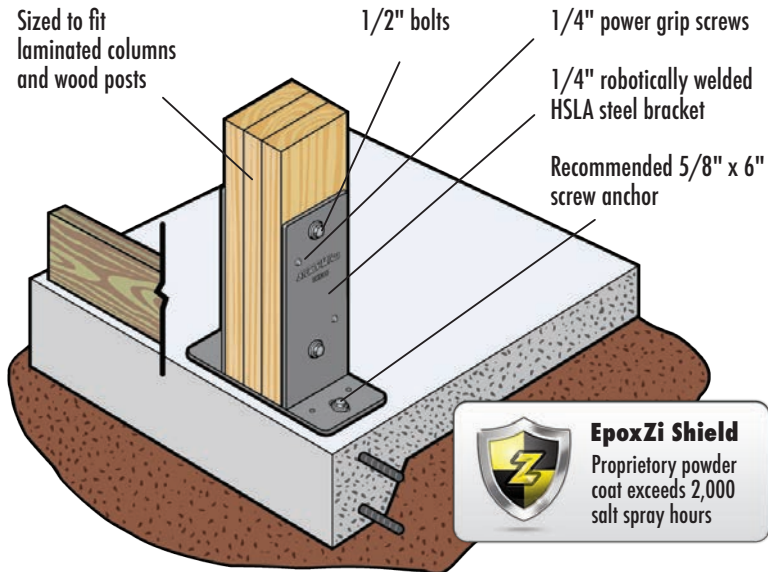
GLU LAM

v10.23

The Sturdi-Wall® system allows for post-frame construction on traditional concrete foundations. ICC-ES certified Sturdi-Wall® anchor brackets are constructed of 100% American-made 1/4" steel, robotically welded, and finished with a tough powder coat. Install these engineered wall brackets with a masonry drill bit and concrete anchors.*



DRILL SET



Model ID	Type	Bracket height	Description	Weight (lbs.)
SW60	6" universal	13"	Used in pairs to fit odd-sized columns, or alone at corners and doors	6
SW63GL	3-Ply 6"	13"	4-3/16" pocket fits 3-Ply 6" laminated column	13
SW64GL	4-Ply 6"	13"	5-9/16" pocket fits 4-Ply 6" laminated column	13
SW80	8" universal	18"	Used in pairs to fit odd-sized columns, or alone at corners and doors	10
SW83GL	3-Ply 8"	18"	4-3/16" pocket fits 3-Ply 8" laminated column	24
SW84GL	4-Ply 8"	18"	5-9/16" pocket fits 4-Ply 8" laminated column	24
SW85GL	5-Ply 8"	18"	6-15/16" pocket fits 5-Ply 8" laminated column or 8" x 8" post	26

*Hardware sold separately.

STURDI-WALL
ANCHOR BRACKETS

STURDI-WALL® PLUS ANCHOR BRACKETS

v10.23

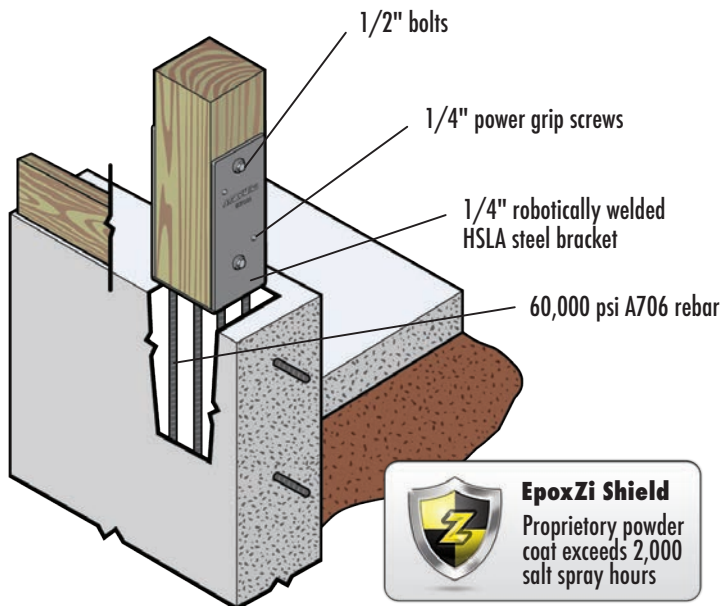
The Sturdi-Wall® system allows for post-frame construction on traditional concrete foundations. ICC-ES certified Sturdi-Wall® Plus anchor brackets are constructed of 100% American-made 1/4" steel, robotically welded, and finished with a tough powder coat. Provides the highest ultimate strength connection to your foundation but requires installation while concrete is still wet. *



Model ID	Type	Bracket height	Description	Weight (lbs.)
SWP46	4" x 6"	13"	3-5/8" pocket fits 4" x 6" post	16
SWP63	3-Ply 6"	13"	4-5/8" pocket fits 3-Ply 6" laminated column	16
SWP66	6" x 6"	13"	5-5/8" pocket fits 6" x 6" post	17
SWP64	4-Ply 6"	18"	6-1/8" pocket fits 4-Ply 6" laminated column	21
SWP83	3-Ply 8"	18"	4-5/8" pocket fits 3-Ply 8" laminated column	27
SWP84	4-Ply 8"	18"	6-1/8" pocket fits 4-Ply 8" laminated column	28
SWP85	5-Ply 8"	18"	7-5/8" pocket fits 5-Ply 8" laminated column or 8" x 8" post	29
SWP88	8" x 8"	18"	8-1/8" pocket fits 8" x 8" architectural post	30

*Hardware sold separately.

WET SET



STURDI-WALL®
ANCHOR BRACKETS

STURDI-WALL® PLUS ANCHOR BRACKETS

GLU LAM

v10.23

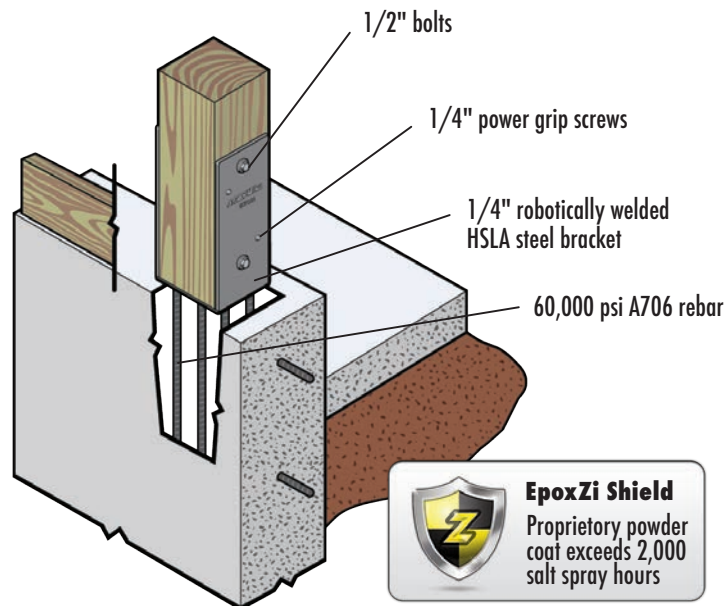
The Sturdi-Wall® system allows for post-frame construction on traditional concrete foundations. ICC-ES certified Sturdi-Wall® Plus anchor brackets are constructed of 100% American-made 1/4" steel, robotically welded, and finished with a tough powder coat. Provides the highest ultimate strength connection to your foundation but requires installation while concrete is still wet. *



Model ID	Type	Bracket height	Description	Weight (lbs.)
SWP63GL	3-Ply 6"	13"	4-3/16" pocket fits 3-Ply 6" laminated column	16
SWP64GL	4-Ply 6"	18"	5-9/16" pocket fits 4-Ply 6" laminated column	21
SWP83GL	3-Ply 8"	18"	4-3/16" pocket fits 3-Ply 8" laminated column	27
SWP84GL	4-Ply 8"	18"	5-9/16" pocket fits 4-Ply 8" laminated column	28
SWP85GL	5-Ply 8"	18"	6-15/16" pocket fits 5-Ply 8" laminated column or 8" x 8" post	29

*Hardware sold separately.

WET SET



EpoxZi Shield
Proprietary powder coat exceeds 2,000 salt spray hours



STURDI-WALL®
ANCHOR BRACKETS

HARDWARE

v10.23

Get all the hardware and accessories you need to assemble Perma-Column® products. We sell hardware individually or in kits. See our hardware specifications below.



SOLD SEPARATELY

Model ID	Size	Description
HW10	5/8" x 6"	Wedge anchor, screw type, zinc-plated. Install anchor with 5/8" masonry drill bit. Drill hole 5/8" deeper than anchor. Tighten to 75 ft.-lbs.
HW45	1/4" x 3"	Grade 5 galvanized power grip screw
HW28	3/16" x 2-1/2"	Galvanized nails. Connect a building's lower splash board to the concrete Perma-Column®. Start by drilling a 3/16" hole through the splash board into the concrete post 1-1/4" deep using a hammer drill. Stay 1-3/4" away from the edge of the post. Finally, secure splash board by hammering concrete nail like a typical nail.

UNIVERSAL DRILL SET HARDWARE

Model ID	Item	Description
HW60DS	6" universal	6" universal drill set hardware. Drill set hardware for 6" column at corner and door jamb includes: <ul style="list-style-type: none"> • (2) 1/2" x 7" zinc-plated Grade 5 carriage bolts, washers, and nuts • (2) 1/4" x 3" Grade 5 galvanized power grip screw (Item HW45) • (1) 5/8" x 6" wedge anchor, screw type, zinc-plated (Item HW10)
HW80DS	8" universal	8" universal drill set hardware. Drill set hardware for 8" column at corner and door jamb includes: <ul style="list-style-type: none"> • (2) 1/2" x 9" zinc-plated Grade 5 carriage bolts, washers, and nuts • (4) 1/4" x 3" Grade 5 galvanized power grip screw (Item HW45) • (1) 5/8" x 6" wedge anchor, screw type, zinc-plated (Item HW10)

SKIRT BOARD HARDWARE

Item #	Description	Weight (lbs.)	Box Qty (count)
PC15SB	G185 galvanized skirt board bracket	0.5	100
HW26	3/16" x 1-1/8" galvanized concrete nail	0.013	1000

HARDWARE KITS

v10.23

Hardware kits are to be used for Perma-Column® and Sturdi-Wall® Plus products. They are available in a variety of options. See specifications below.



PERMA-COLUMN® AND STURDI-WALL® PLUS HARDWARE

Model ID	Item	Description
HW46	4" x 6" kit	Wood-to-bracket connection hardware for 4" x 6" post includes: <ul style="list-style-type: none"> • (2) 1/2" x 5" zinc-plated Grade 5 bolts, washers, and nuts • (4) 1/4" x 3" Grade 5 galvanized power grip screw (Item HW45)
HW63	3-Ply 6" kit	Wood-to-bracket connection hardware for 3-Ply 6" laminated column includes: <ul style="list-style-type: none"> • (2) 1/2" x 6" zinc-plated Grade 5 bolts, washers, and nuts • (4) 1/4" x 3" Grade 5 galvanized power grip screw (Item HW45)
HW66	6" x 6" kit	Wood-to-bracket connection hardware for 6" x 6" post includes: <ul style="list-style-type: none"> • (2) 1/2" x 7" zinc-plated Grade 5 bolts, washers, and nuts • (4) 1/4" x 3" Grade 5 galvanized power grip screw (Item HW45)
HW64	4-Ply 6" kit	Wood-to-bracket connection hardware for 4-Ply 6" laminated column includes: <ul style="list-style-type: none"> • (2) 1/2" x 7-1/2" zinc-plated Grade 5 bolts, washers, and nuts • (4) 1/4" x 3" Grade 5 galvanized power grip screw (Item HW45)
HW83	3-Ply 8" kit	Wood-to-bracket connection hardware for 3-Ply 8" laminated column includes: <ul style="list-style-type: none"> • (2) 1/2" x 6" zinc-plated Grade 5 bolts, washers, and nuts • (8) 1/4" x 3" Grade 5 galvanized power grip screw (Item HW45)
HW84	4-Ply 8" kit	Wood-to-bracket connection hardware for 4-Ply 8" laminated column includes: <ul style="list-style-type: none"> • (2) 1/2" x 7-1/2" zinc-plated Grade 5 bolts, washers, and nuts • (8) 1/4" x 3" Grade 5 galvanized power grip screw (Item HW45)
HW85	5-Ply 8" kit	Wood-to-bracket connection hardware for 5-Ply 8" laminated column includes: <ul style="list-style-type: none"> • (2) 1/2" x 9" zinc-plated Grade 5 bolts, washers, and nuts • (8) 1/4" x 3" Grade 5 galvanized power grip screw (Item HW45)
HW88	8" x 8" kit	Wood-to-bracket connection hardware for 8" x 8" post includes: <ul style="list-style-type: none"> • (2) 1/2" x 9-1/2" zinc-plated Grade 5 bolts, washers, and nuts • (8) 1/4" x 3" Grade 5 galvanized power grip screw (Item HW45)

DRILL SET HARDWARE KITS

v10.23

Drill set hardware kits are available in a variety of options. See specifications below.



STURDI-WALL® HARDWARE

Model ID	Item	Description
HW46DS	4" x 6" drill set kit	Wood-to-bracket connection hardware for 4" x 6" post includes: <ul style="list-style-type: none"> • (2) 1/2" x 5" zinc-plated Grade 5 bolts, washers, and nuts • (4) 1/4" x 3" Grade 5 galvanized power grip screw (Item HW45) • (2) 5/8" x 6" wedge anchor, screw type, zinc-plated (Item HW10)
HW63DS	3-Ply 6" drill set kit	Drill set hardware for 3-Ply 6" laminated column includes: <ul style="list-style-type: none"> • (2) 1/2" x 6" zinc-plated Grade 5 bolts, washers, and nuts • (4) 1/4" x 3" Grade 5 galvanized power grip screw (Item HW45) • (2) 5/8" x 6" wedge anchor, screw type, zinc-plated (Item HW10)
HW66DS	6" x 6" drill set kit	Drill set hardware for 6" x 6" post includes: <ul style="list-style-type: none"> • (2) 1/2" x 7" zinc-plated Grade 5 bolts, washers, and nuts • (4) 1/4" x 3" Grade 5 galvanized power grip screw (Item HW45) • (2) 5/8" x 6" wedge anchor, screw type, zinc-plated (Item HW10)
HW64DS	4-Ply 6" drill set kit	Drill set hardware for 4-Ply 6" laminated column includes: <ul style="list-style-type: none"> • (2) 1/2" x 7-1/2" zinc-plated Grade 5 bolts, washers, and nuts • (4) 1/4" x 3" Grade 5 galvanized power grip screw (Item HW45) • (2) 5/8" x 6" wedge anchor, screw type, zinc-plated (Item HW10)
HW83DS	3-Ply 8" drill set kit	Drill set hardware for 3-Ply 8" laminated column includes: <ul style="list-style-type: none"> • (2) 1/2" x 6" zinc-plated Grade 5 bolts, washers, and nuts • (8) 1/4" x 3" Grade 5 galvanized power grip screw (Item HW45) • (2) 5/8" x 6" wedge anchor, screw type, zinc-plated (Item HW10)
HW84DS	4-Ply 8" drill set kit	Drill set hardware for 4-Ply 8" laminated column includes: <ul style="list-style-type: none"> • (2) 1/2" x 7-1/2" zinc-plated Grade 5 bolts, washers, and nuts • (8) 1/4" x 3" Grade 5 galvanized power grip screw (Item HW45) • (2) 5/8" x 6" wedge anchor, screw type, zinc-plated (Item HW10)
HW85DS	5-Ply 8" drill set kit	Drill set hardware for 5-Ply 8" laminated column includes: <ul style="list-style-type: none"> • (2) 1/2" x 9" zinc-plated Grade 5 bolts, washers, and nuts • (8) 1/4" x 3" Grade 5 galvanized power grip screw (Item HW45) • (2) 5/8" x 6" wedge anchor, screw type, zinc-plated (Item HW10)
HW88DS	8" x 8" drill set kit	Drill set hardware for 8" x 8" post includes: <ul style="list-style-type: none"> • (2) 1/2" x 9-1/2" zinc-plated Grade 5 bolts, washers, and nuts • (8) 1/4" x 3" Grade 5 galvanized power grip screw (Item HW45) • (2) 5/8" x 6" wedge anchor, screw type, zinc-plated (Item HW10)

UPLIFT ANCHOR KITS

v10.23

Uplift anchors are bolted to the existing precast pipe at the base of a Perma-Column®. The stated uplift protection is approximated for when the anchors are properly installed and backfilled with dirt.

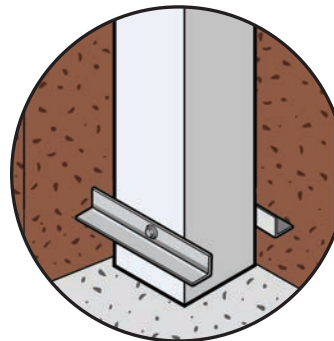


UPLIFT ANCHOR KIT FOR PC 6" SERIES

Model ID	Size	Description
UA61	8-1/2"	Kit includes: <ul style="list-style-type: none"> • (2) 2" x 2" x 8-1/2" galvanized angles • (1) 1/2" x 6" galvanized Grade 5 bolt, nut, and washer
UA62	12"	Kit includes: <ul style="list-style-type: none"> • (2) 2" x 2" x 12" galvanized angles • (1) 1/2" x 6" galvanized Grade 5 bolt, nut, and washer

UPLIFT ANCHOR KIT FOR PC 8" SERIES

Model ID	Size	Description
UA81	8-1/2"	Kit includes: <ul style="list-style-type: none"> • (2) 2" x 2" x 8-1/2" galvanized angles • (1) 1/2" x 8" galvanized Grade 5 bolt, nut, and washer
UA82	12"	Kit includes: <ul style="list-style-type: none"> • (2) 2" x 2" x 12" galvanized angles • (1) 1/2" x 8" galvanized Grade 5 bolt, nut, and washer



COLUMN EXTENDERS

v10.23

Perma-Column® column extenders provide deeper post embedment. All kits include bolt, nut, and washer to connect with Perma-Column®.

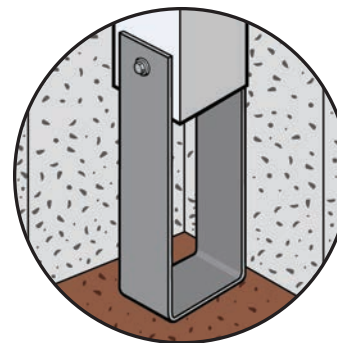


COLUMN EXTENDER FOR PC 6" SERIES

Model ID	Size	Description
CE61	12"	12" column extender for 6" Perma-Column® provides deeper post embedment. Kit includes 7" bolt, nut, and washer to connect with Perma-Column®.
CE62	24"	24" column extender for 6" Perma-Column® provides deeper post embedment. Kit includes 7" bolt, nut, and washer to connect with Perma-Column®.

COLUMN EXTENDER FOR PC 8" SERIES

Model ID	Size	Description
CE81	12"	12" column extender for 8" Perma-Column® provides deeper post embedment. Kit includes 9" bolt, nut, and washer to connect with Perma-Column®.
CE82	24"	24" column extender for 8" Perma-Column® provides deeper post embedment. Kit includes 9" bolt, nut, and washer to connect with Perma-Column®.





400 Carol Ann Lane, Ossian, IN 46777 | Tel: 800 622-7190 | Fax: 260 622-7192

permacolumn.com